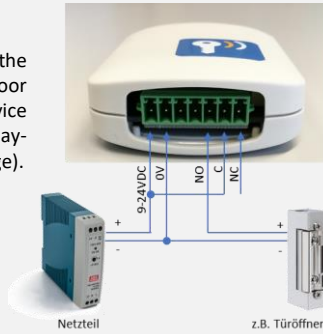




A Connect your KleverKey Controller C1

You can easily connect the Controller to an electric door opener or another electric device by using the potential-free relay-contact (as shown on the image).



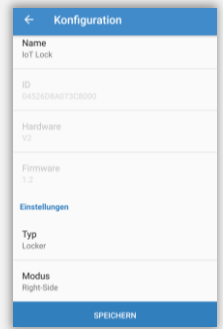
B Configuration (optional)

You can change the configuration of the controller by using the KleverKey App (Android) and the Service Mode:

- Switching time
- Switching mode (“on-off” / “on”, “off”)
- Further options

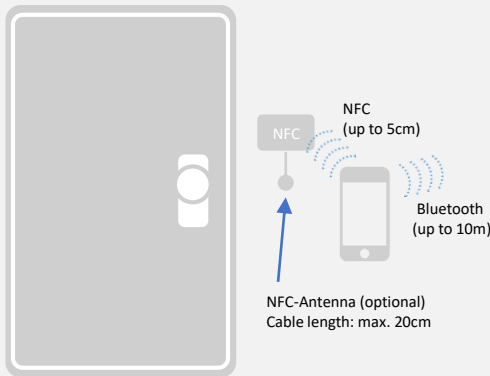
Please contact us for a certification as KleverKey Specialist and access to the Service Mode:

✉ partnership@swissprime.tech

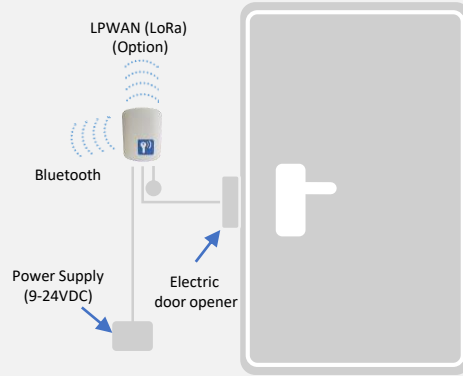


Example: Installation with an electric door opener

Outside Non-secure Area



Inside Secure Area



General Instructions

Mounting

Please make sure that the controller is not mounted next to metallic surfaces to not disturb RF-performance and functional limitations.
The mount the device on the wall, a special wall-mount-kit is available.

Intended Use

Usage of the controller is only intended with a Smartphone and App by means of Bluetooth or NFC (optionally). You can find an overview of compatible devices here: <https://www.kleverkey.com/de/compatibility>
The function of the Controller by means of NFC (optional) is only guaranteed when the external NFC-antenna is mounted on non-metallic surfaces (e.g. wood or plastic). The reading distance is depending on Smartphone (up to 5cm). The reading distance of Bluetooth is depending on the environment and Smartphone (up to 10m).

Improper Use

Usage of Controller in explosive environment. Usage of Controller outside the specified ranges.
For damage resulting from incorrect use the customer bears sole responsibility, the manufacturer accepts no liability whatsoever.

Conversions or modifications

Any type of modification to the Controller is not permitted.
The electromagnetic conduct of the Controller may be impaired by additions or modifications of any kind. Therefore do not carry out any modifications or additions to electric/electronic components.
The use of replacement parts from third-party manufacturers may lead to dangers. Use only original parts or parts approved by the manufacturer.

Obligation of the user

The user undertakes only to allow persons to work with the Controller who:

- have been instructed in working with the Controller
- have read and understood this guide

Operation Manual

You can use the Controller to switch on/off any electric apparatus.
You can get access to the controller by using a compatible smartphone and digital keys. The digital keys can be shared by a administrator (owner) to other users over-the-air. To share permissions you may need a KleverKey Cloud subscription with annual fees.

Terms of Service, Privacy Policy

With installation of the KleverKey App you agree with the Terms of Service and Privacy Policy:

- Terms of Service: <https://www.kleverkey.com/de/about-us/terms-of-service>
- Privacy Policy: <https://www.kleverkey.com/de/about-us/privacy-policy>

Technical Specifications

| Description | Value |
|---------------------------------|----------------------------|
| Outputs | |
| Potential-free Contact | 220VDC/250VAC, 2A |
| UART-Interface (Option) | 115200/8-N-1 |
| Power Supply | |
| Power supply | 9 – 24 VDC |
| Current Consumption | Activity: < 70mA |
| Frequency Band | |
| Bluetooth | 2.4GHz (ISM-Band) |
| NFC (Option) | 13.56 MHz |
| LPWAN (Option) | EU: 868 MHz (ISM-Band) |
| Environmental Conditions | |
| Operating Temperature | 0 ... + 50 °C |
| Relative Humidity (Operation) | 20 ... 75% (noncondensing) |
| Certificates | CE |
| Dimensions | 76x54x22mm (L x B x H) |